

Horizontal Wallbed

Assembly Instructions



Safety Instructions

- Securely mount the bed to the wall with the use of impact plugs.
- Never secure the bed to a drywall/plasterboard wall. The bed needs to be mounted to wall frame studs, brick or concrete wall structure to ensure it can support the weight of the bed.
- The gas springs are under pressure, use extra caution when installing or removing the springs. Only install or remove the springs when the matras is removed and the bed is in the upright position.
- Don't use powertools to secure the magnets, to avoid shattering them.

Please read through all the assembly steps before starting the build.

Required Tools

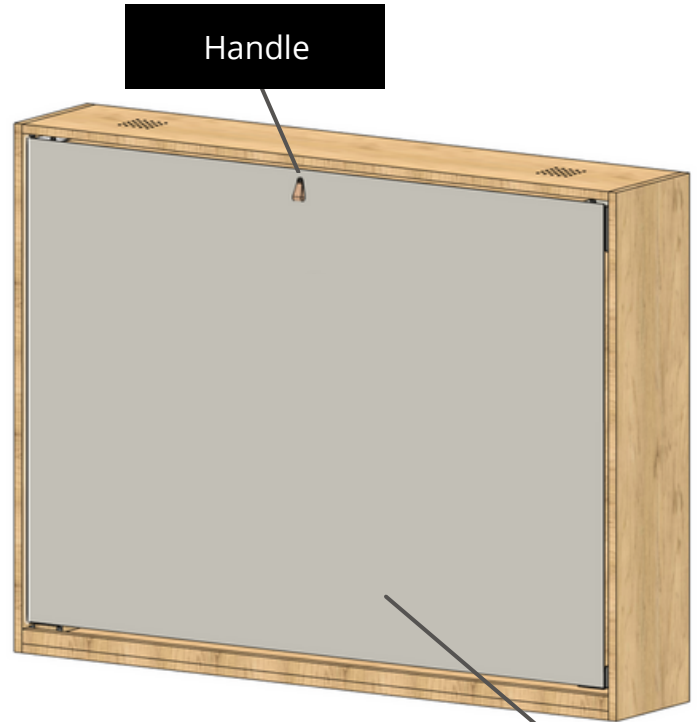
- Hex key 3
- Hex key 4
- Hex key 5
- Hex key 10
- Drill (preferably cordless)
- Torx Bit size 10
- Torx Bit size 20
- Torx Bit size 30
- Wrench size 13 -M8 bolts
- Wrench size 22 -M14 bolts

Equipment

<u>Parts</u>	<u>Location</u>
12x angle piece 24x M8x20 bolt 24x M8 washer	Assembly cabinet corners
4x T4x60mm socket screw	Assembly filler timber
4x M8 wall plug 4x M8x120mm anchor screw (not incl.)	Mouting the cabinet to the wall
2x M8x35 socket bolt 2x M8 washer 2x M8 lock nut	Assembly bedframe legs
14x M8x20 bolt 16x M8 washer 2x M8x 16mm countersunk socket bolt 2x M8x 10 capscrew	Assembly bedframe corners
4xT8x80mm screw	Assembly middle slat rest
8x connector cap M6 8x connector cap bolt M6 x25 2x M14 lock nut 2x M14x 40 countersunk capscrew	Assembly mechanism to bedframe
10x M8x25 bolt 10x M8 washer	Assembly bedframe in cabinet
2x M8x55 bolt 2x M8x45 bolt 2x M8 lock nut 6x M8 washer	Assembly 2 gas springs
4x 3,5x20 screw 2x M8x20 bolt 2x M8 washer	Assemble magnets +stop plate on the bedframe
30x T4x40 screw 1x T6x40 screw 8x T4x40 screw	Assembly slats + front panel +handle

Assembly Overview

- Cabinet
- Bed Frame
 - Legs, Mechanism
- Gas Springs
- Panel and Handle



Cabinet

Panel

M
G



Bed Frame

Legs

Cabinet



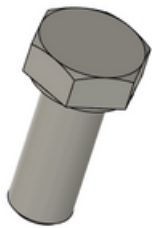
Corner Angle (x12)



Magnet Bracket (x2)



T4x60 (x8)



M8x20 (x26)



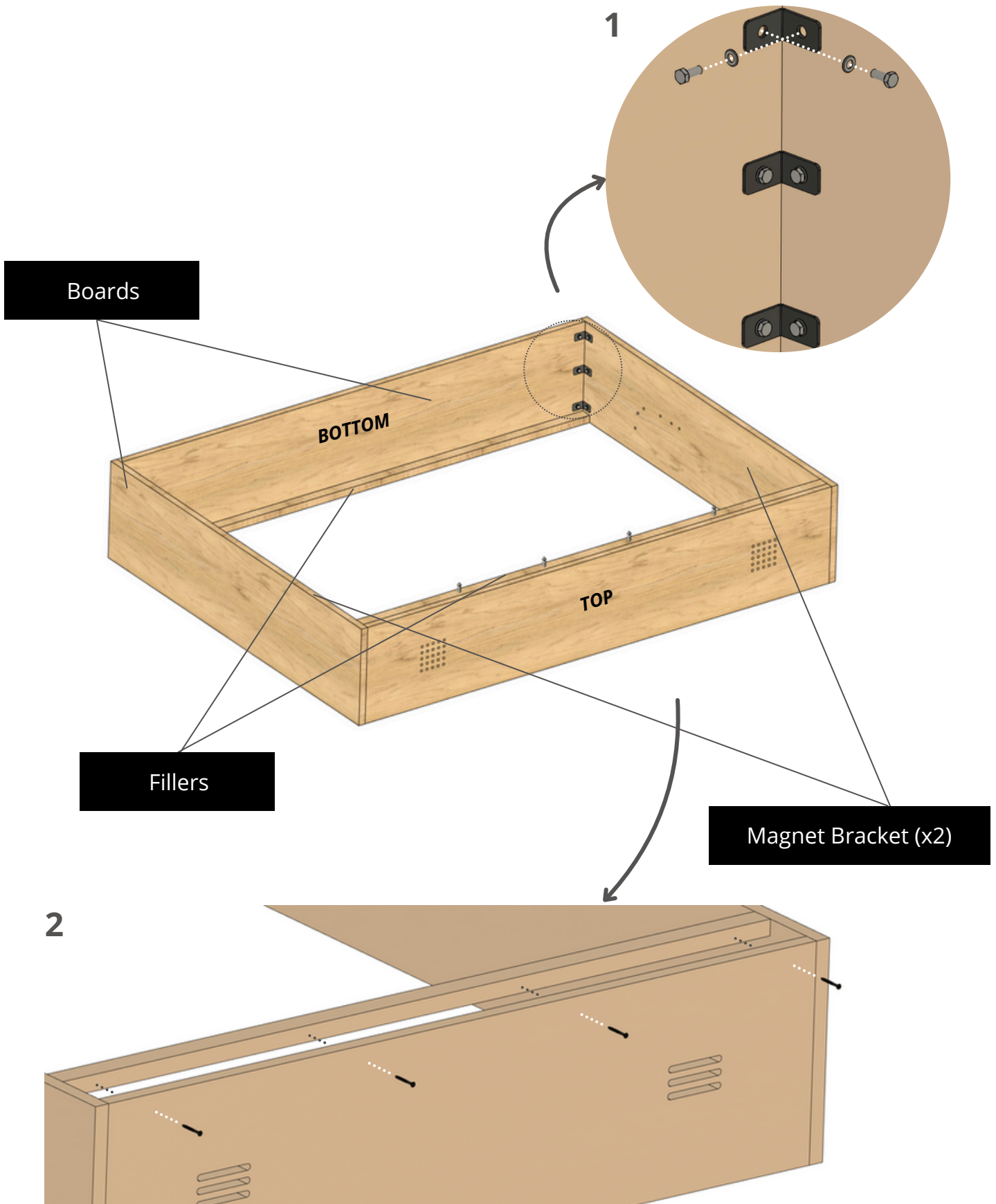
M8 washer (x26)

Assemble the cabinet on the floor.

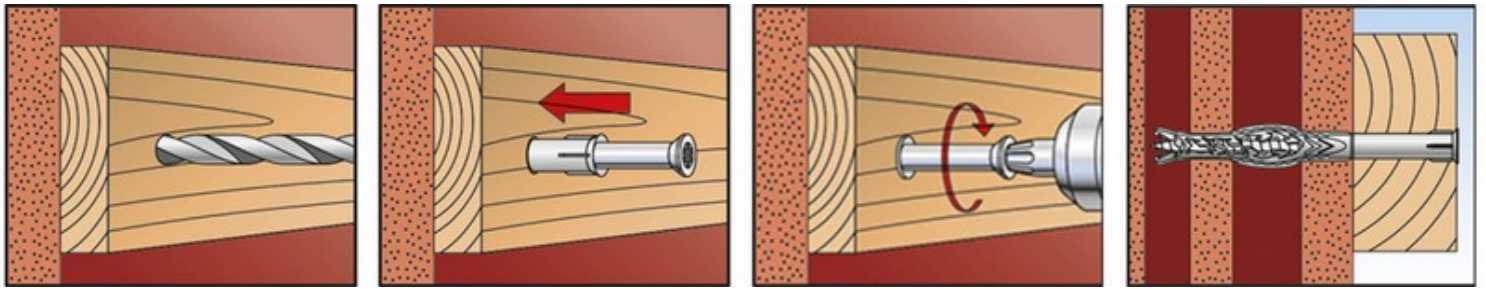
Steps:

1. Connect each board from the inside corners using 3 metal corner angle pieces with 6 M8x20mm bolts. Repeat for all 4 corners.
2. Use 4 T4x60mm screws to attach the filler timbers. Repeat on bottom board in the front and top board in the back.
3. Lift the cabinet upright and position it against the wall in the desired location.
4. Drill 4 holes for the 4 M8x120mm anchor screws, as the cabinet is already in place you can drill the 4 holes (ø8mm) through the filler timber, hammer in the anchors in the wall and secure the cabinet with the .
5. Mount the 2 magnet brackets in the indicated locations.

Cabinet assembly

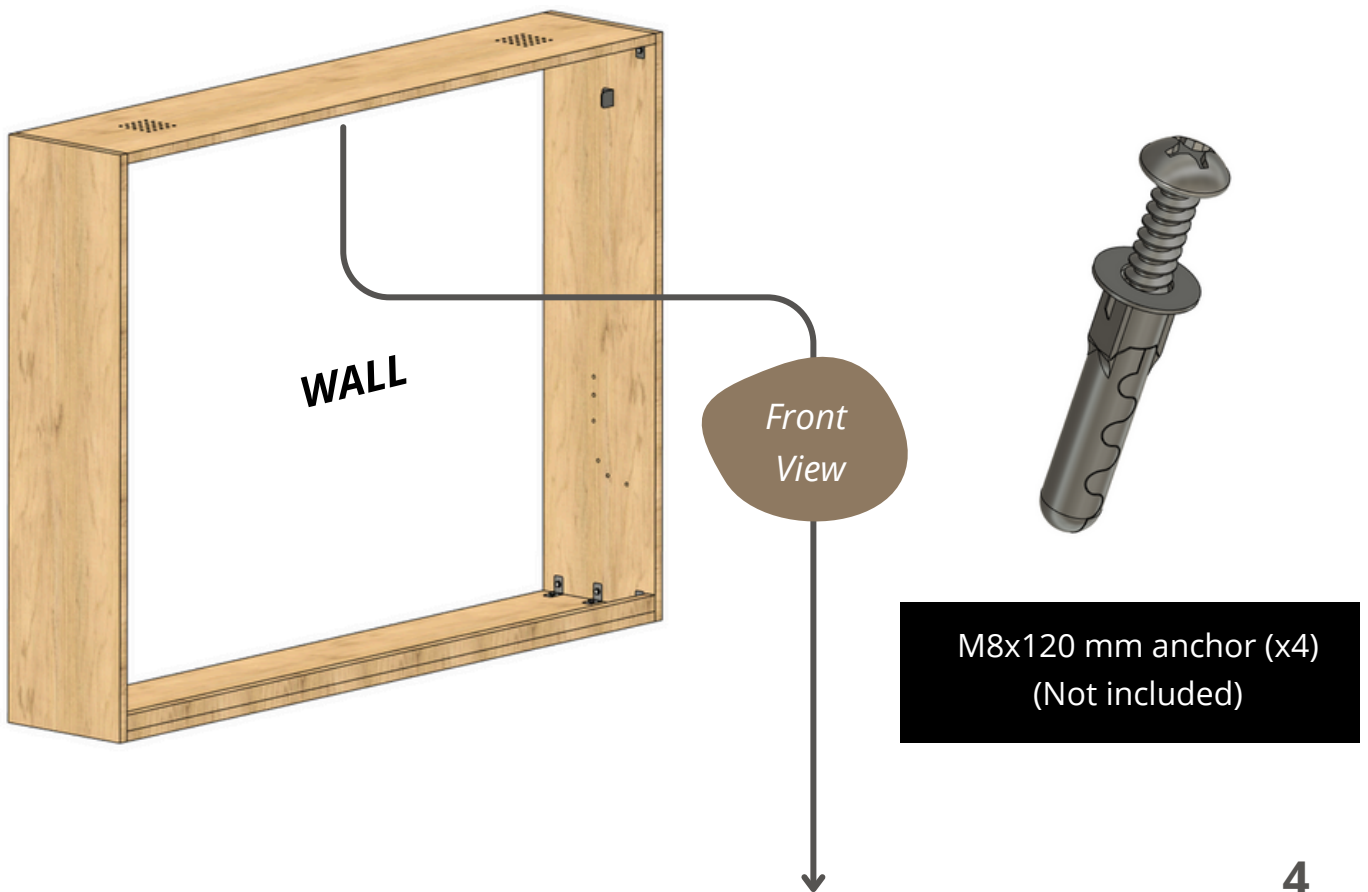


Cabinet: Wall Mounting

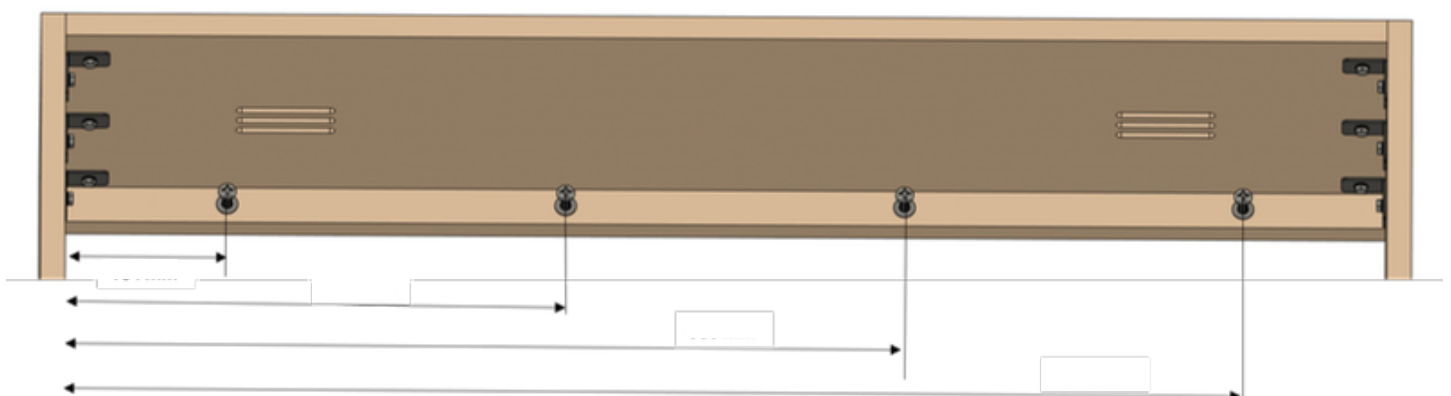


To fasten the bed against the wall we advise to use hammer-in anchors of size 8x120 mm

3



4



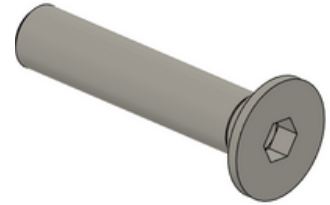
Bedframe: Legs



M8 Locknut (x2)



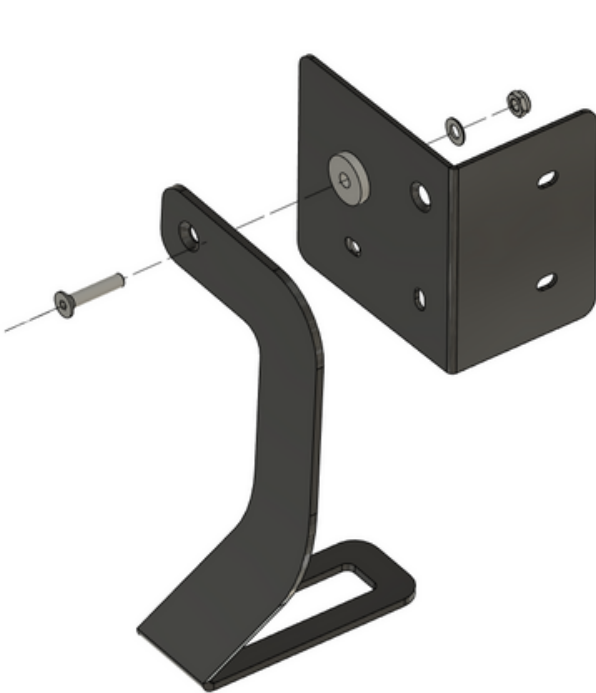
M8 Washer (x2)



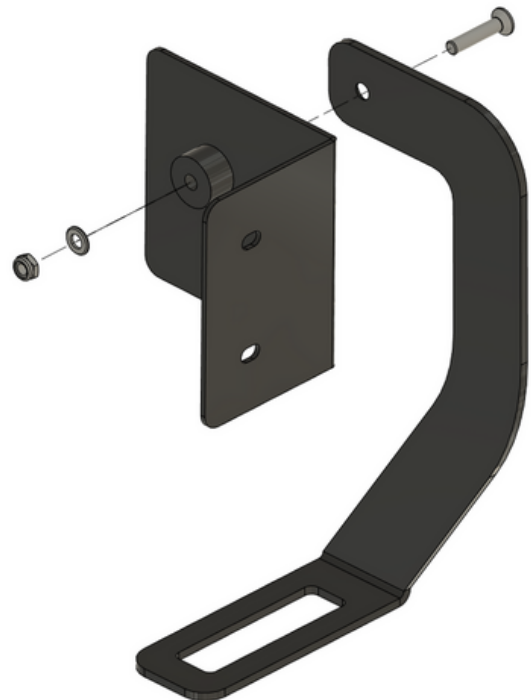
M8x35 (x2) 45°

Steps:

1. Bolt the L-shaped legs to the leg corner plates



Left Leg



Right Leg

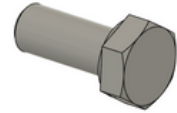
Bed Frame



Legs



Corner piece with lip (x2)



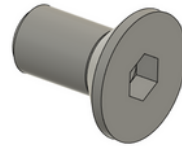
M8x20 (14x)



M8 washer (x14)



T3.5x20 (x4)



M8x16 (x2) 45°



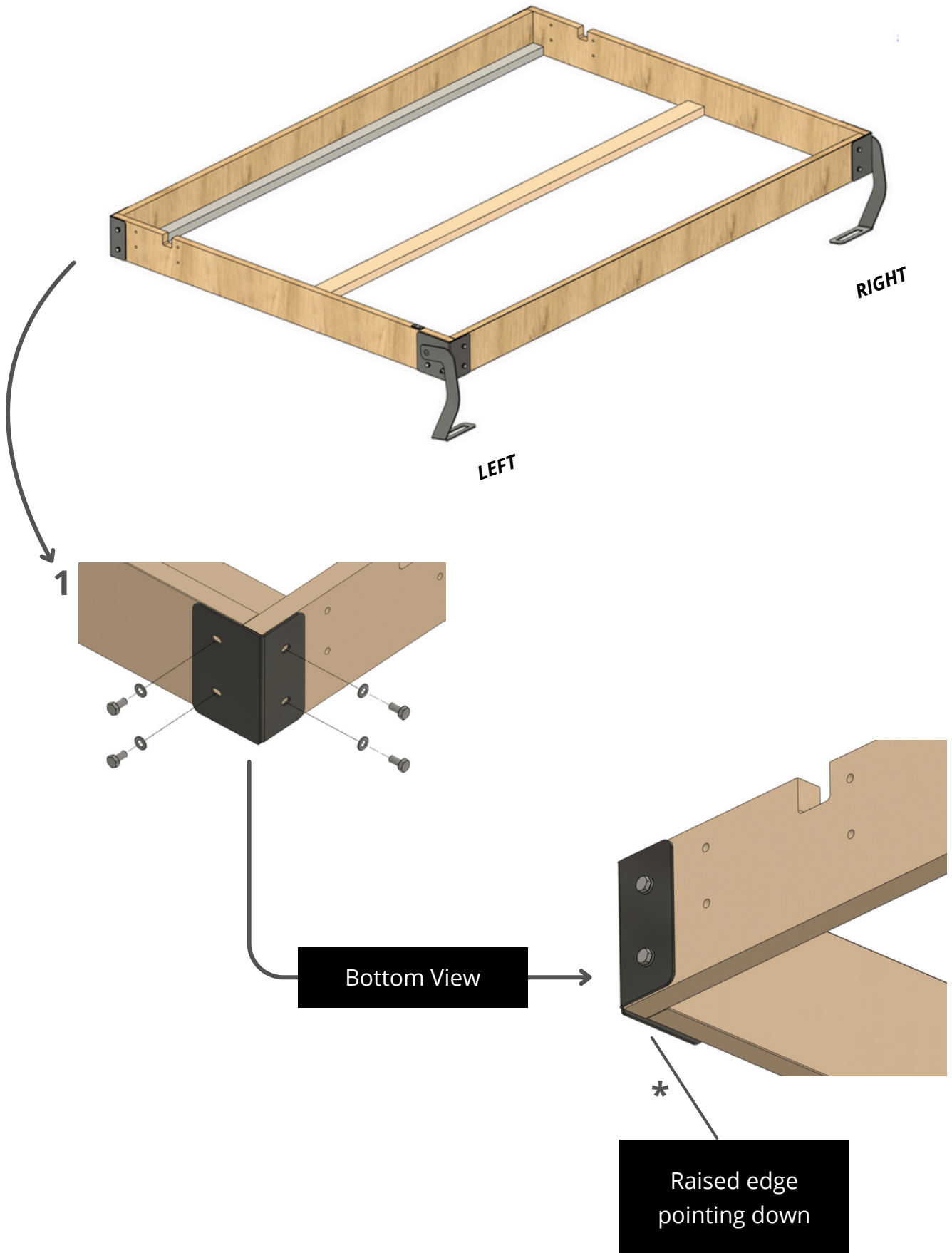
T8x80 (x4)

Steps:

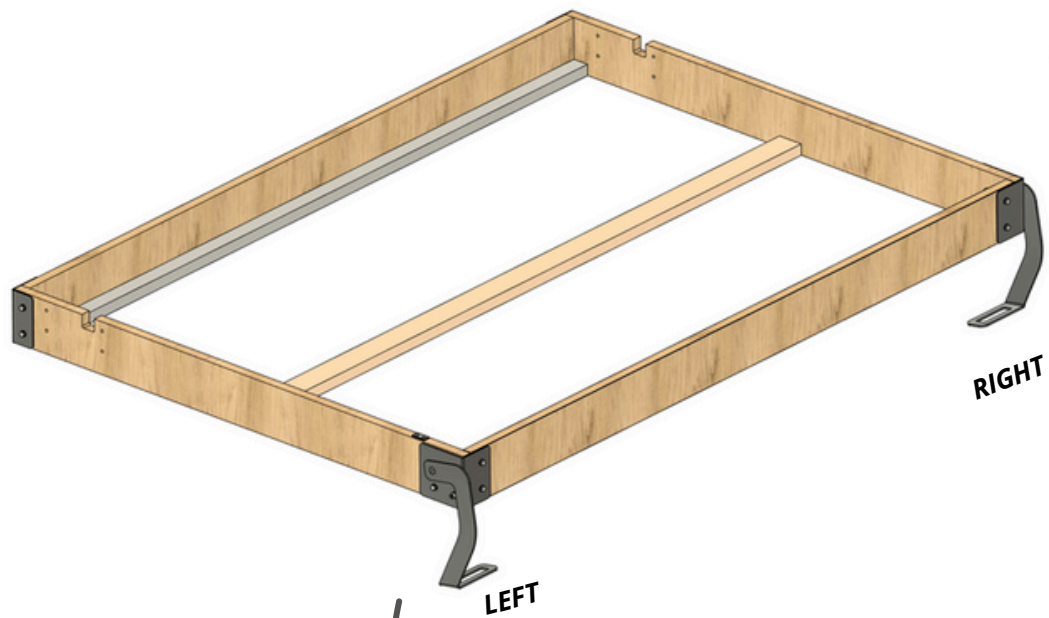
1. Use the corner pieces with a raised edge to build on the opposite side of where the bedframe legs will go. **Make sure these corners are assembled with the raised edge pointing down to the floor!**
2. Use the leg corner pieces to complete the outside of the bedframe.
3. Insert the middle slat rest to reinforce the frame with 2 screws about 20mm apart on each side of the bedframe

The middle slat rest should be levelled with the preinstalled slat rests on the 2 longest frame sides.

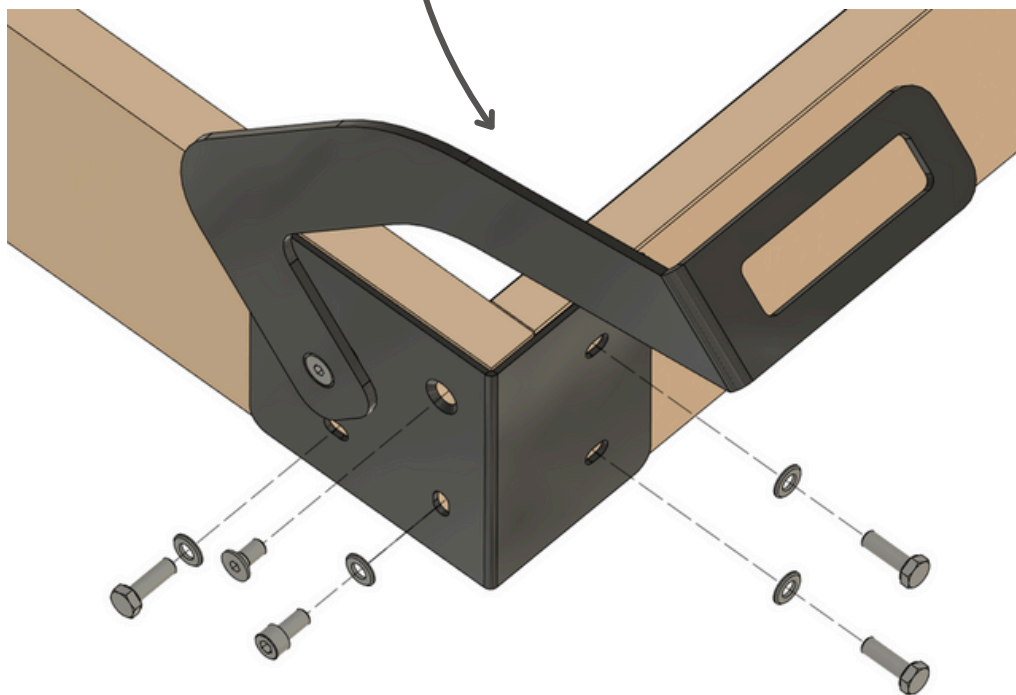
Bed Frame: back corners



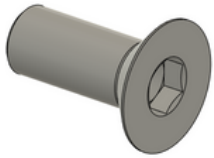
Bed Frame: leg corners



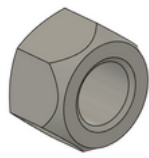
2



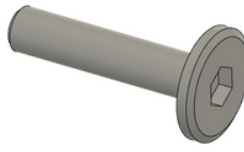
Mechanism



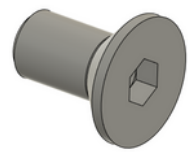
M14x40 Nut (x2)



M22 Bolt (x2)



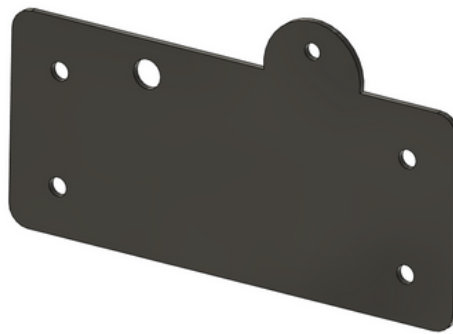
M6x40 Male (x8)



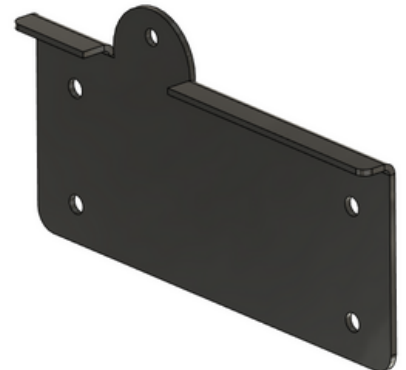
M6x20 Female (x8)



Pivot arms left + right



Outer plate (x2)



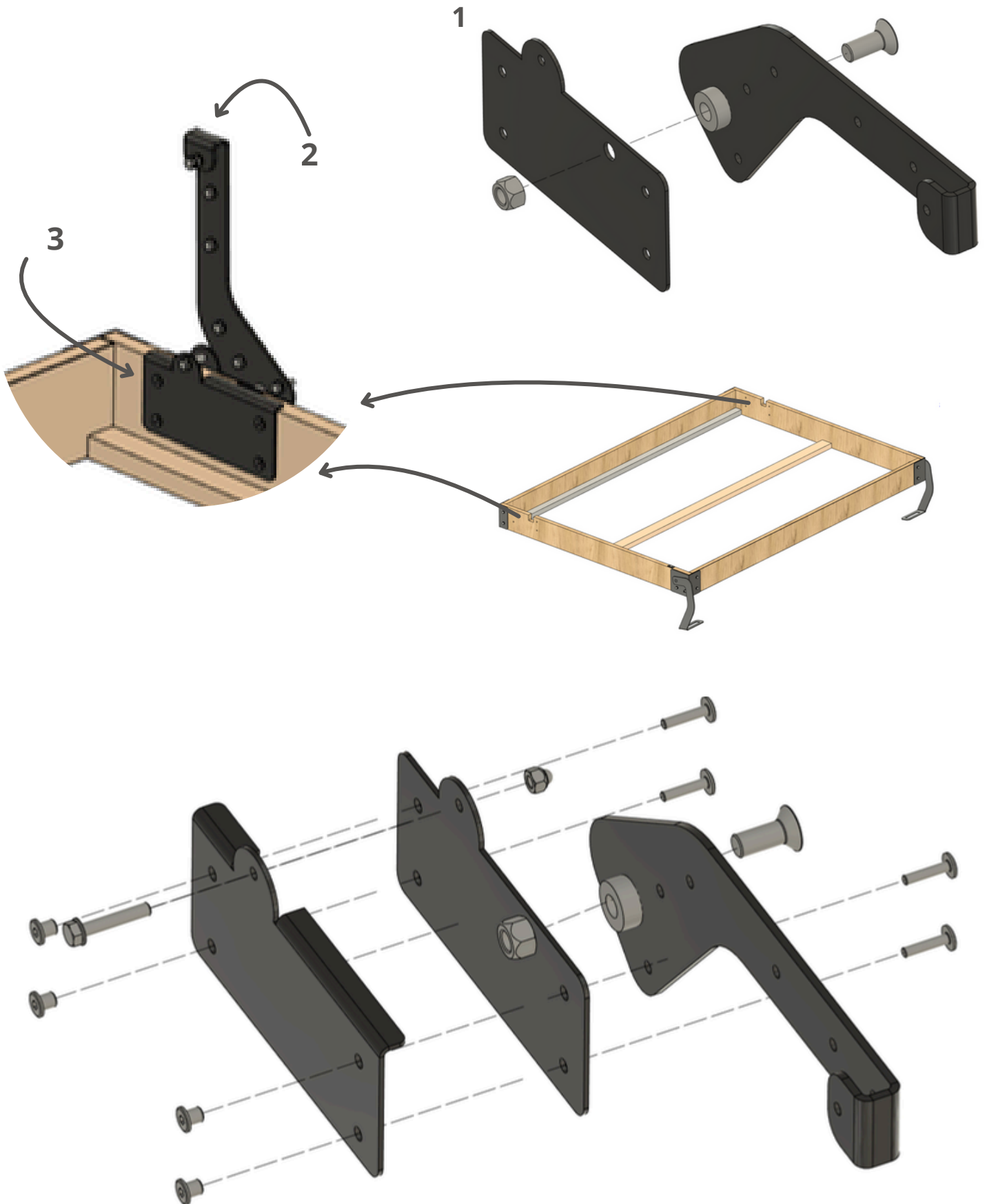
Inner plate (x2)

Steps:

1. Assemble the pivot arm with the outer plate
2. Position the pivot arm assembly on the outside of the bedframe.
3. Mount inner plate on the inside of the bedframe.

Using 4 bolts and nut caps secure both plates on the bedframe. Repeat for both the left and right side.

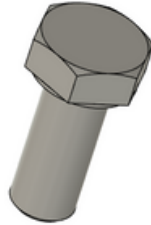
Mechanism



Bed Frame into Cabinet



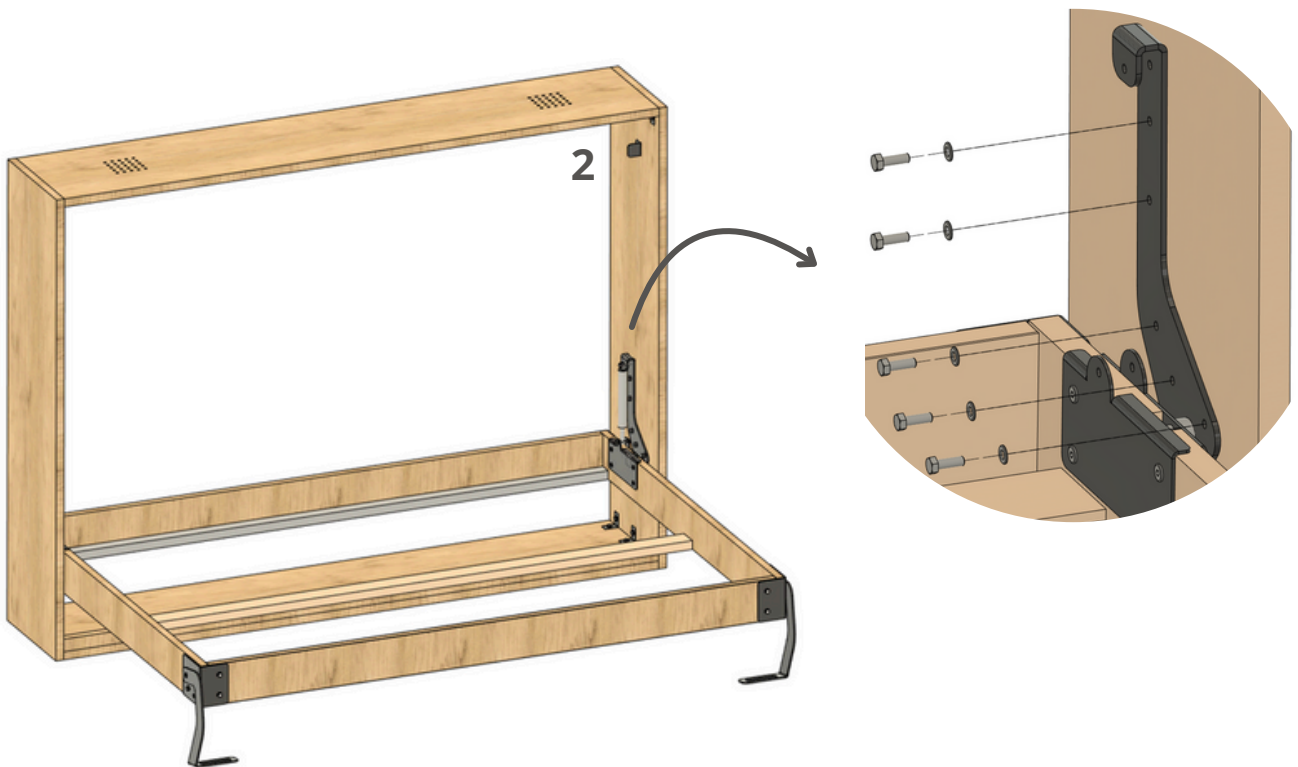
M8 Washer (x10)



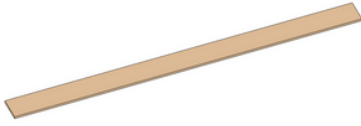
M8x25 (x10)

Steps:

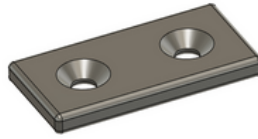
1. Lift the bedframe upon the bedframe legs
2. Lift the other side of the bedframe to install the mechanism into the cabine using the M8 bolts and washers



Slats & magnets



Slats (x10)



Magnet (x2)



Torx 4x40 mm (30x)

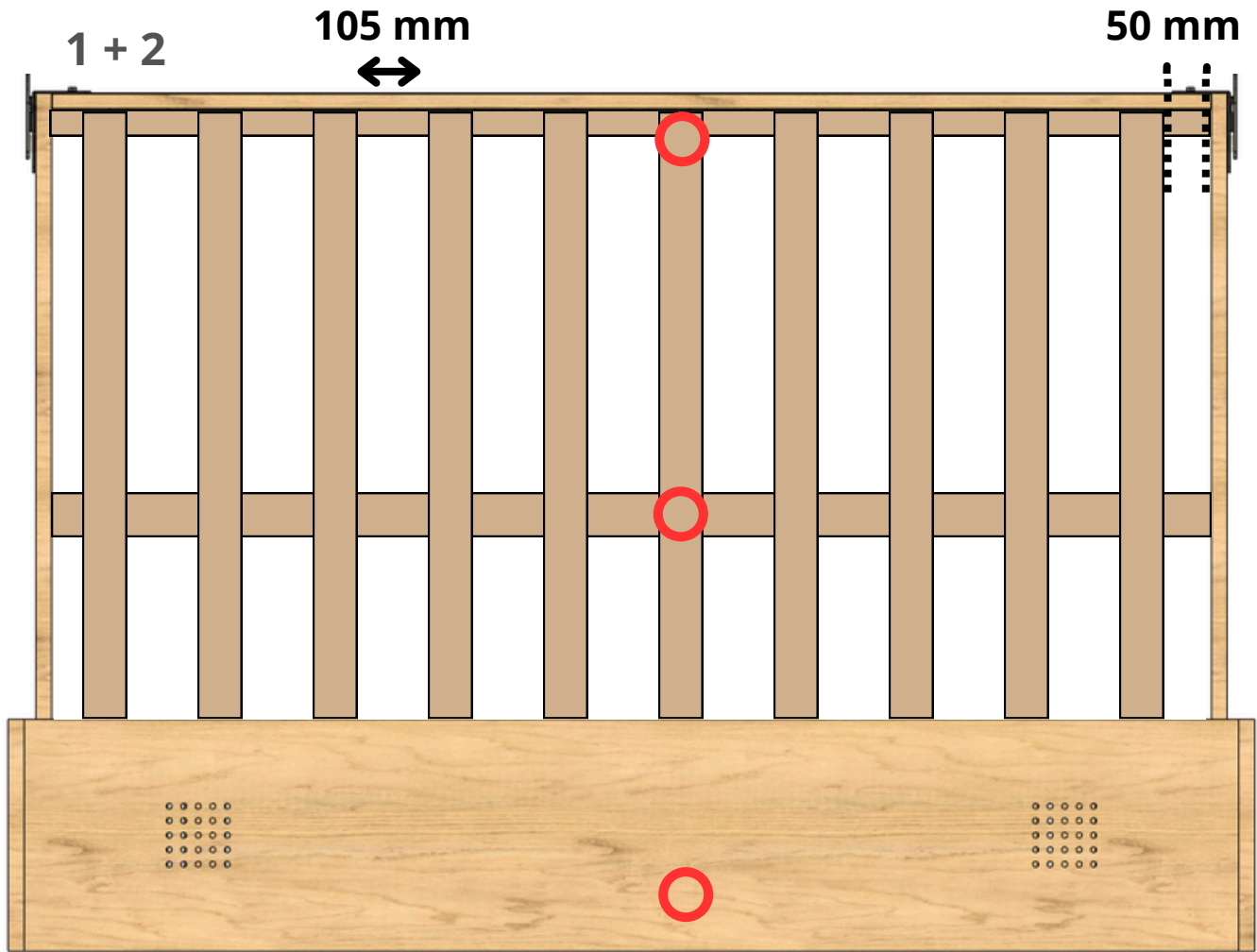
Steps:

1. Space the matras slats inside the bedframe. Start **50mm** from the border of the bedframe leaving **105mm** inbetween each slat.
2. Screw down the slats with 3 screws (T4x 20mm), left, right and on the middle slat.
3. Secure the magnets on either side of the bedframe 420mm from the leg corner plate to the first hole center of the magnet.

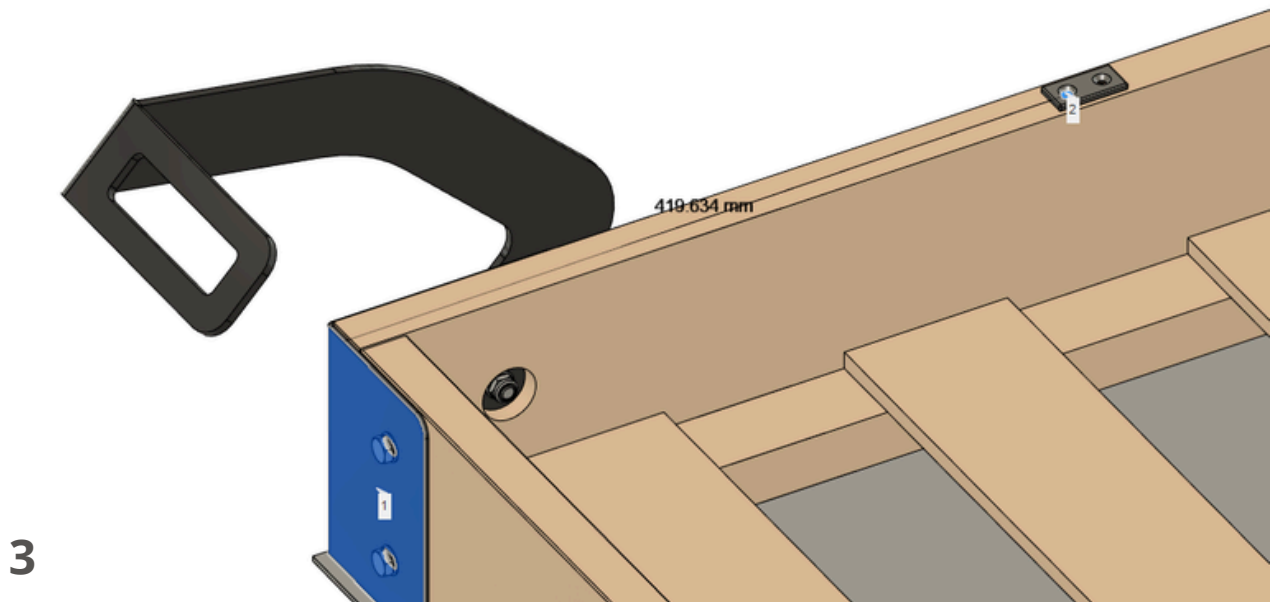
Tip: Install the slats before mounting the gas springs to ease the opening and closing of the bedframe.

Magnets are fragile. Mount these with hand and srewdriver!

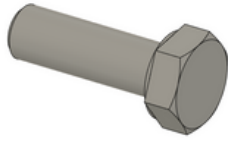
Slats & magnets



Magnets are fragile. Mount these with hand and screwdriver!



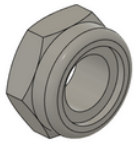
Gas Springs



M8x40 bolt (x2)



M8x55 bolt (x2)



Lock Nut (x2)



Washer (x6)



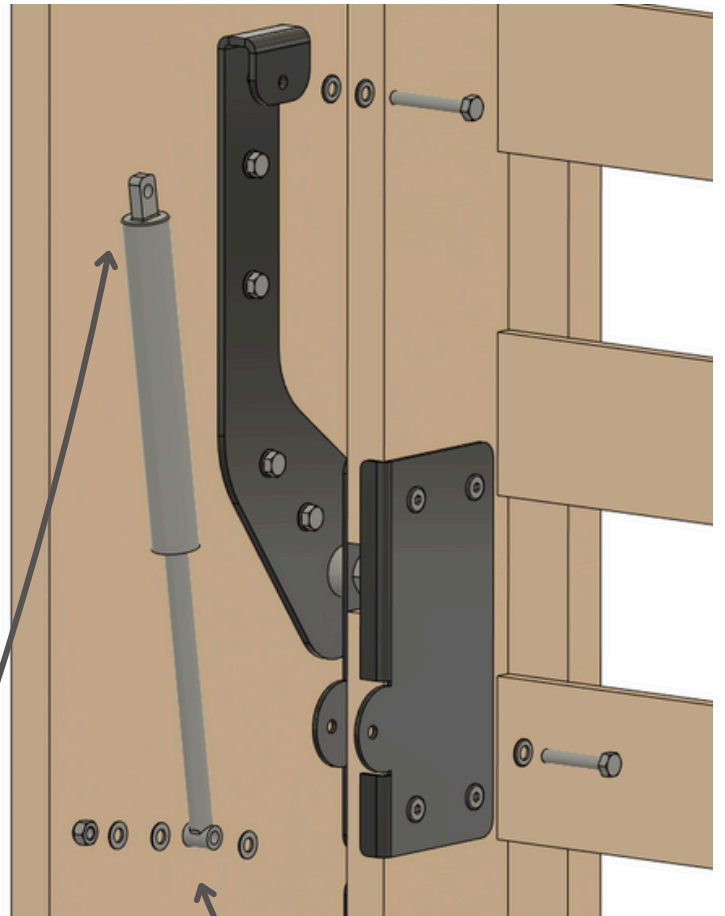
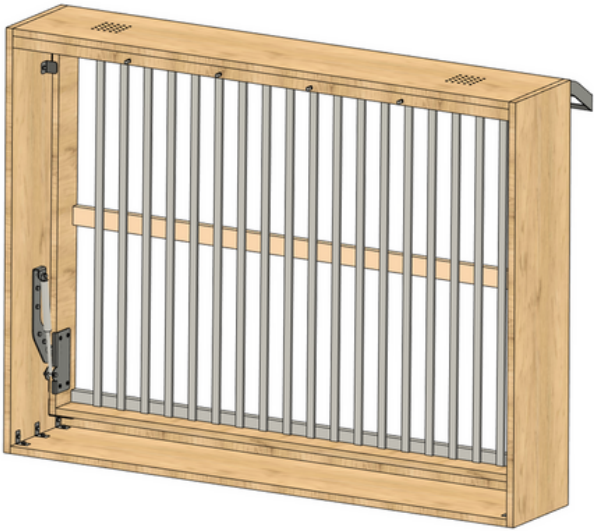
Gas Spring (x2)

Steps:

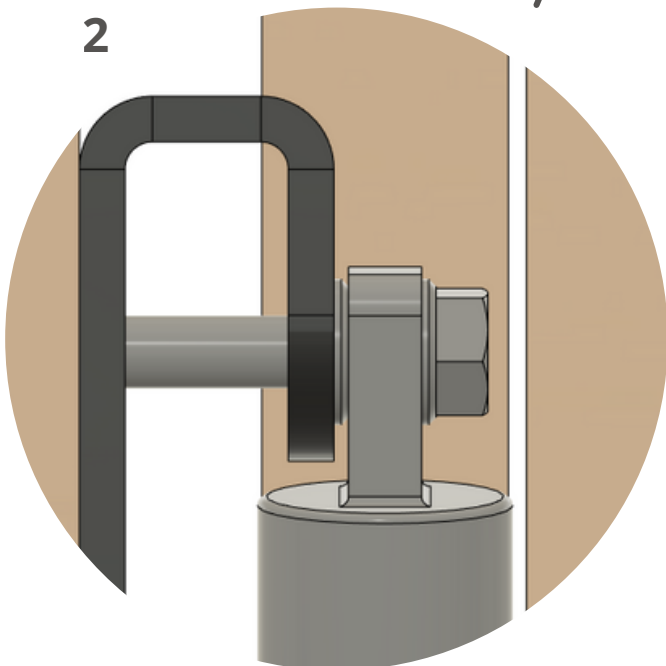
1. Lift the bedframe to close the bed.
2. Mount the gas spring with M8x40 bolt and 2 washers on either side of the spring.
3. Mount 2 washers between the plates and the gas spring, 1 washer in front of the M8x55 and 1 before placing the lock nut.
4. Now repeat the same for the other gas spring.

Gas Springs

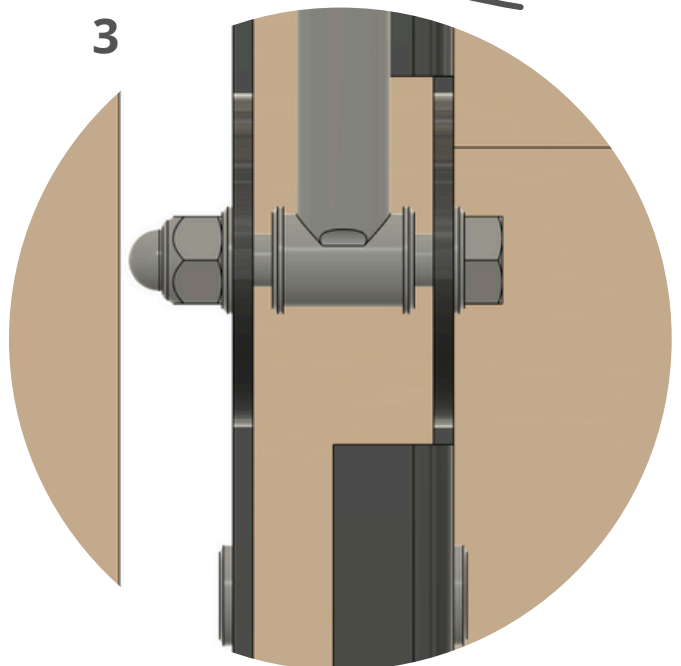
1



2



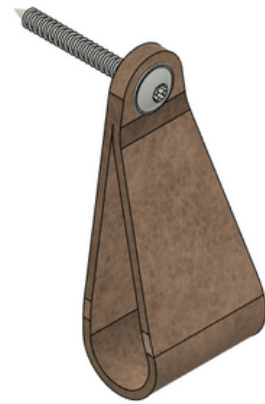
3



Panel & Handle



Front panel (x1 or x2)



Handle & Screw (x1)

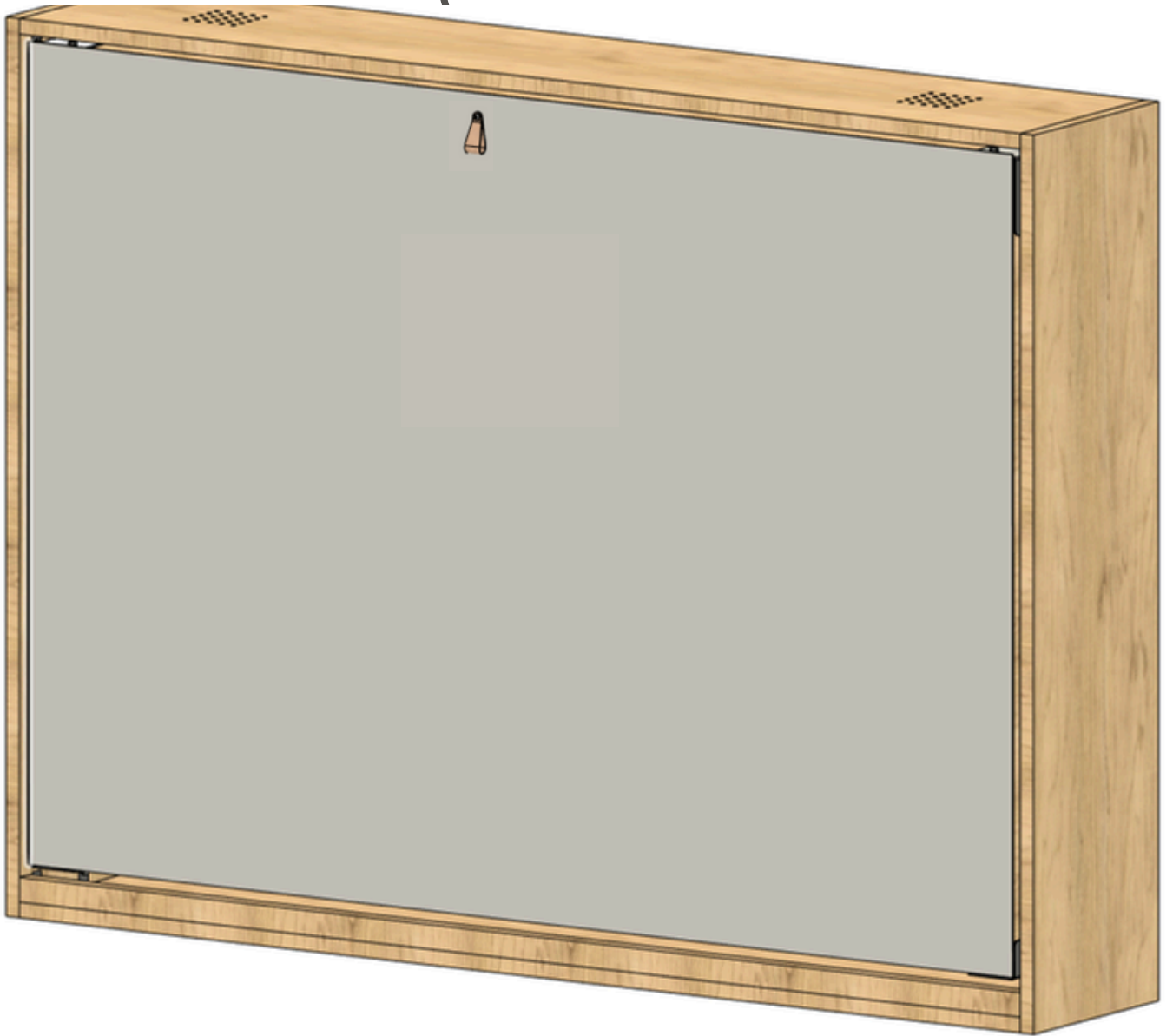


Color screw (x6 or x12)

Steps:

1. Line up the front panel with the closed bedframe so there is a equal space allround between the front panel and the cabinet.
2. Secured with screws on the pre- drilled locations in the front panel.
3. Locate the best handle location (depening on the persons height), the higher the handle position the easier it will be to open the bed.
4. Mark the handle location and drill a 4mm hole in the middle of the front panel to secure the handle with screw

Handle & Screw (x1)



Panel (1x or 2x)

FAQ

1. The gas spring does not fit

Push the bed frame further into the cabinet so that the holes align better

2. Bed frame is touching the closet

Push the cabinet frame at the bottom left or right to align the bed frame with the cabinet.

